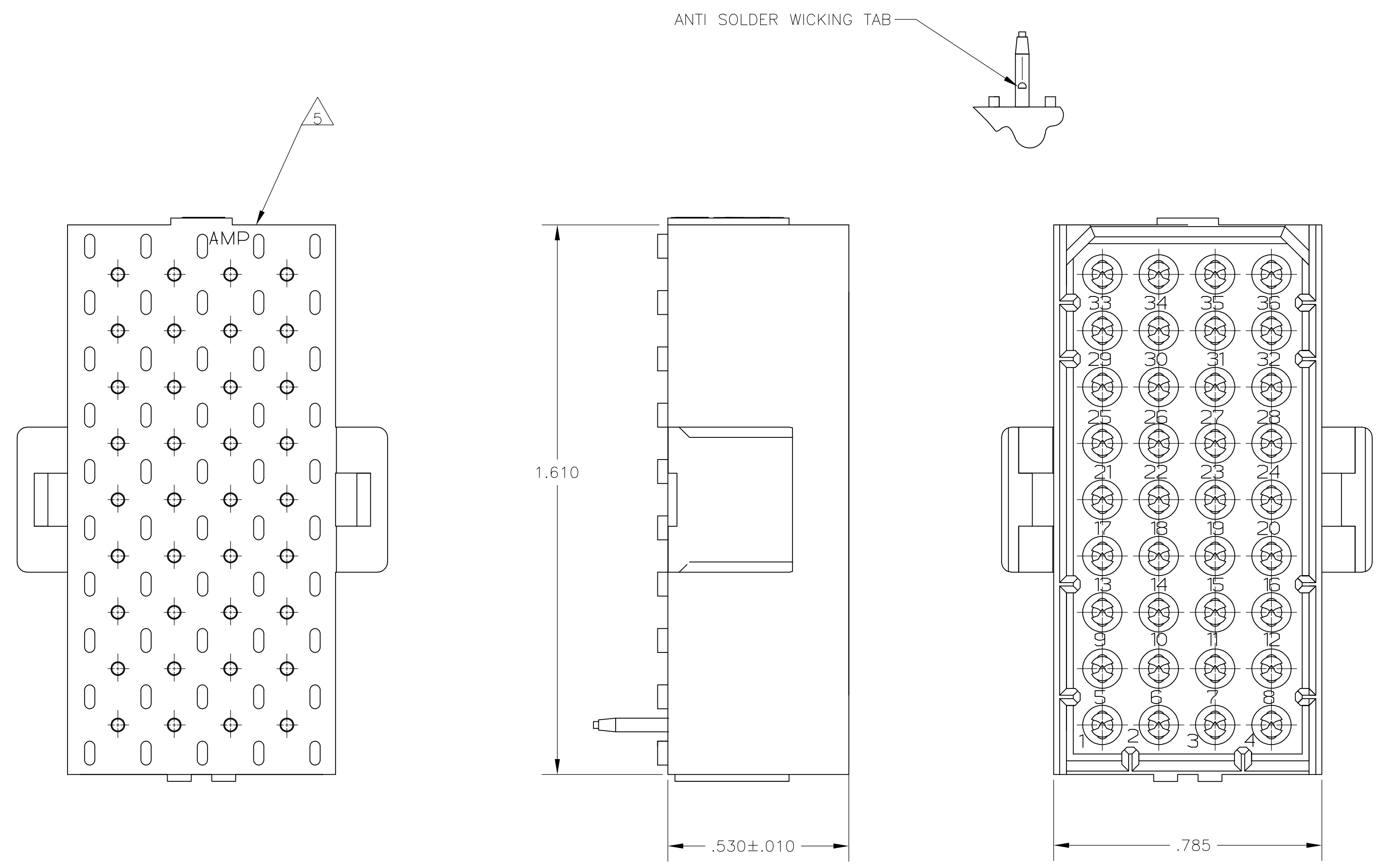
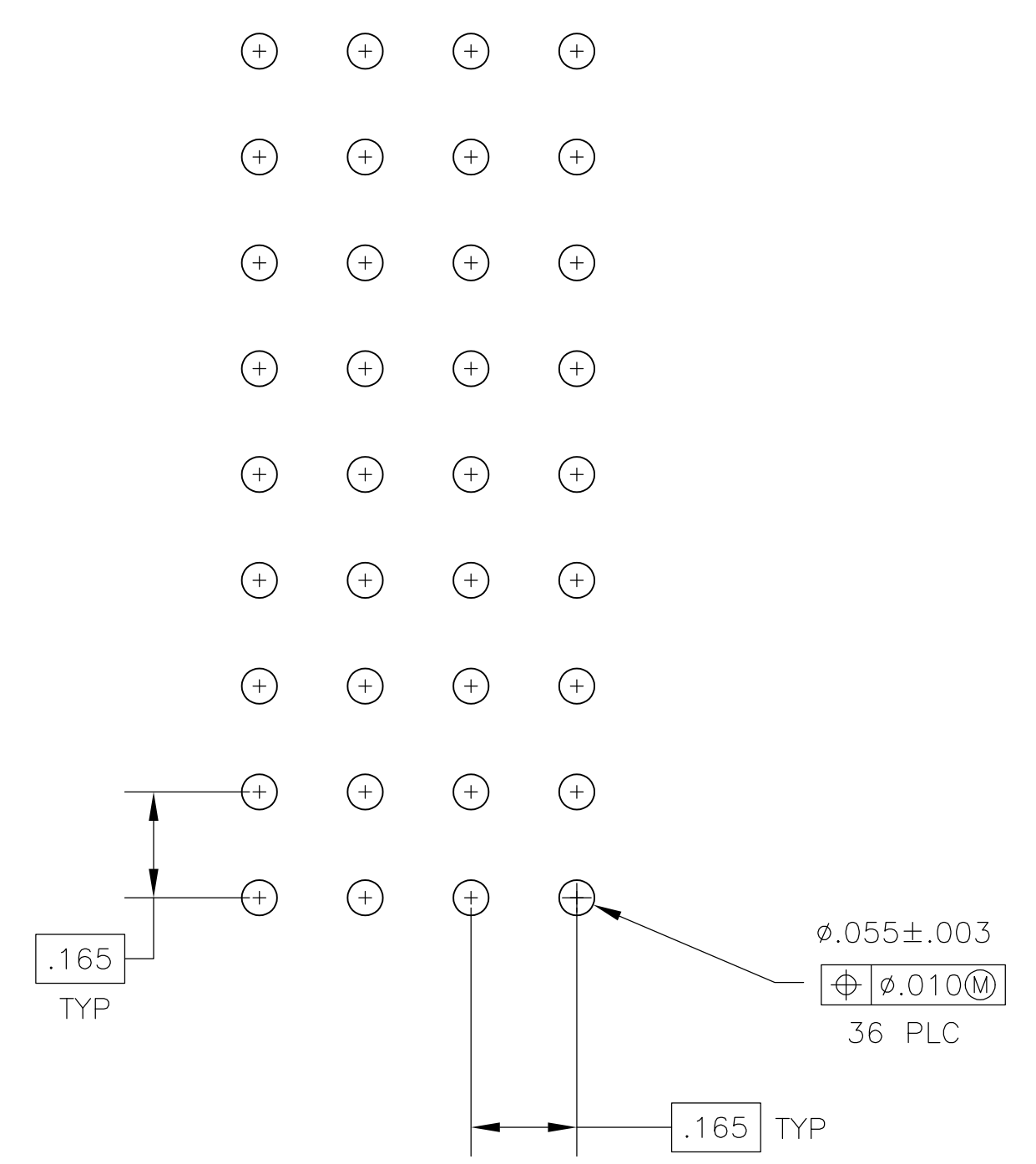


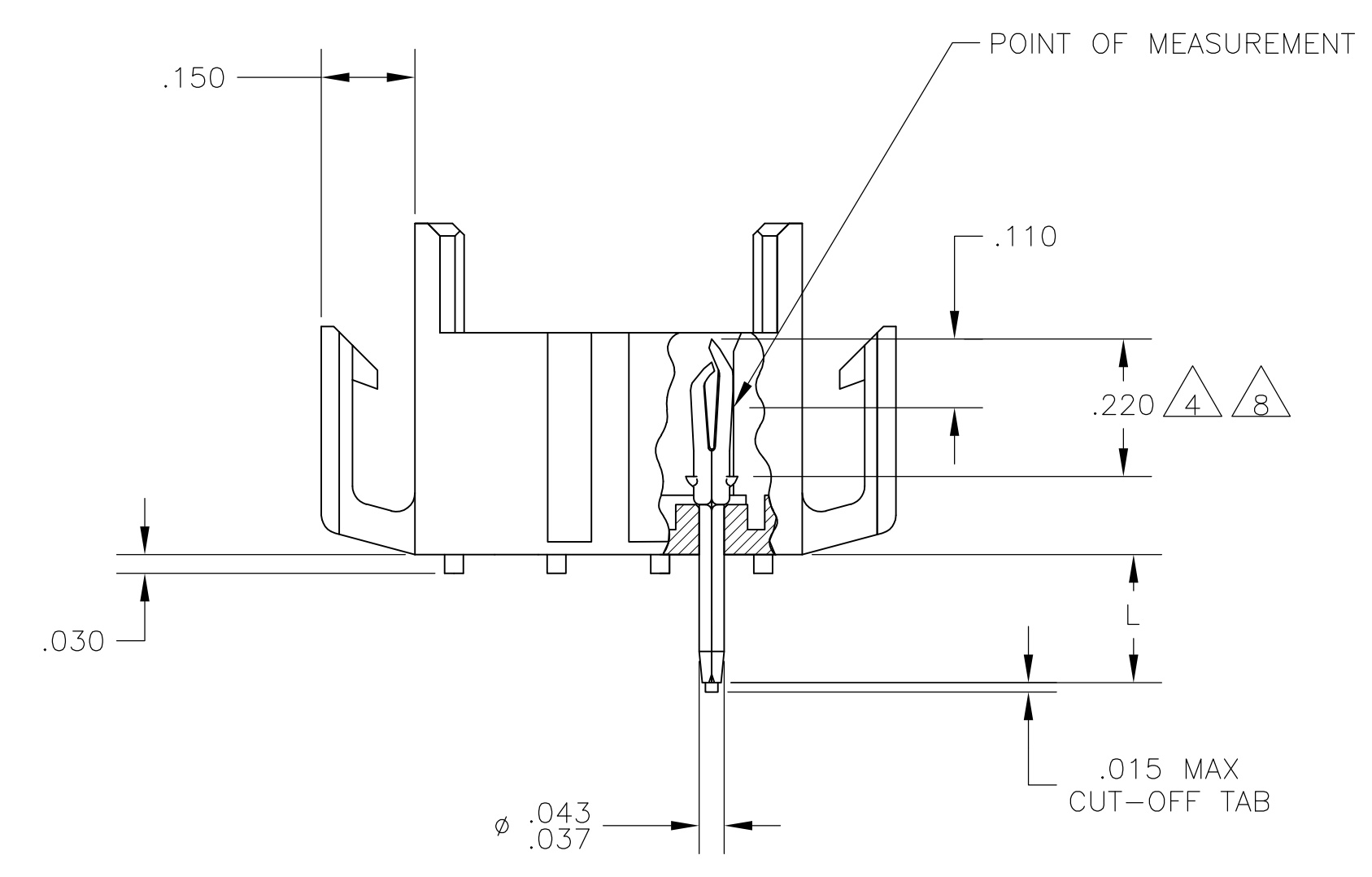
LOC	DIST	REVISIONS			
CM	0	REV	DESCRIPTION	DATE	BY
T3		REVISED PER	ECO-11-008144	16APR11	HMR



- 1 FITS SOCKET HOUSING 640526.
- 2 ASSEMBLY CONFORMS TO AMP SOLDERABILITY SPEC. 109-11-3.
- 3 FOR USE WITH .063 THICK P.C. BOARD.
- 4 CONTACT IS PLATED OVERALL WITH .000050 NICKEL, THEN .000030 GOLD OVER CONTACT LENGTH INDICATED AND .000150 MATTE TIN-LEAD ON SOLDER TAIL END.
- 5 UL AND CSA LOGO LOCATED ON THIS SURFACE.
- 6 FOR USE WITH .120 THICK P.C. BOARD.
- 7 TRAY PACKAGED VERSION OF 640506-1. PACKAGED 54 PCS. PER TRAY AND 7 TRAYS PER BOX.
- 8 CONTACT IS PLATED OVERALL WITH .000050 NICKEL, THEN .000030 GOLD OVER CONTACT LENGTH INDICATED AND .000150 MATTE TIN ON SOLDER TAIL END.
- 9 OBSOLETE PARTS: OBSOLETE CIS STREAMLINING PER D.RENAUD/D.SINISI
- 10 PARTITION PACKED AND BOXED, 270 PCS PER CARTON.



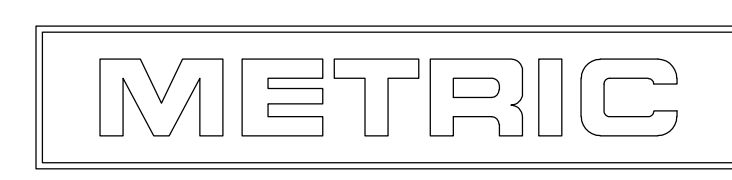
RECOMMENDED P.C. BOARD LAYOUT



REV	DESCRIPTION	DATE	BY
10	.210 BRICK RED GOLD	28 APR 98	J. HUFFMAN
9	.210 BRICK RED GOLD	28 APR 98	R. SWING
8	.150 BRICK RED GOLD	28 APR 98	T. REDDICK
7	.150 BRICK RED PRE-TIN	28 APR 98	T. REDDICK
6	.210 BRICK RED GOLD	28 APR 98	T. REDDICK
5	.210 BRICK RED PRE-TIN	28 APR 98	T. REDDICK
4	.150 BRICK RED GOLD	28 APR 98	T. REDDICK
3	.150 BRICK RED PRE-TIN	28 APR 98	T. REDDICK
2	.210 BRICK RED GOLD	28 APR 98	T. REDDICK
1	.150 BRICK RED PRE-TIN	28 APR 98	T. REDDICK

IN	MM	IN	MM	IN	MM
.015	0.38	.110	2.79	1.610	40.89
.010	0.25	.063	1.60	.785	19.94
.008	0.20	.055	1.40	.530	13.46
.005	0.13	.043	1.09	.220	5.59
.003	0.08	.037	0.94	.210	5.33
.000050	0.00127	.030	0.76	.165	4.19
.000030	0.00076	.020	0.51	.150	3.81

CONVERSION TABLE



THIS DRAWING IS A CONTROLLED DOCUMENT.

DIMENSIONS: INCHES	TOLERANCES UNLESS OTHERWISE SPECIFIED:	0 PLC ± -	1 PLC ± -	2 PLC ± -	3 PLC ± .005	4 PLC ± -	ANGLES ± 0° 30'
MATERIAL: HOUSING FLAME RETARDANT NYLON, UL 94V-0; PIN, .008 PH BRZ.	FINISH: SEE FINISH	WEIGHT: -	SIZE: A1	CAGE CODE: 00779	DRAWING NO: 640506	RESTRICTED TO: -	CUSTOMER DRAWING

SCALE: 4:1 SHEET 1 OF 1 REV T3